

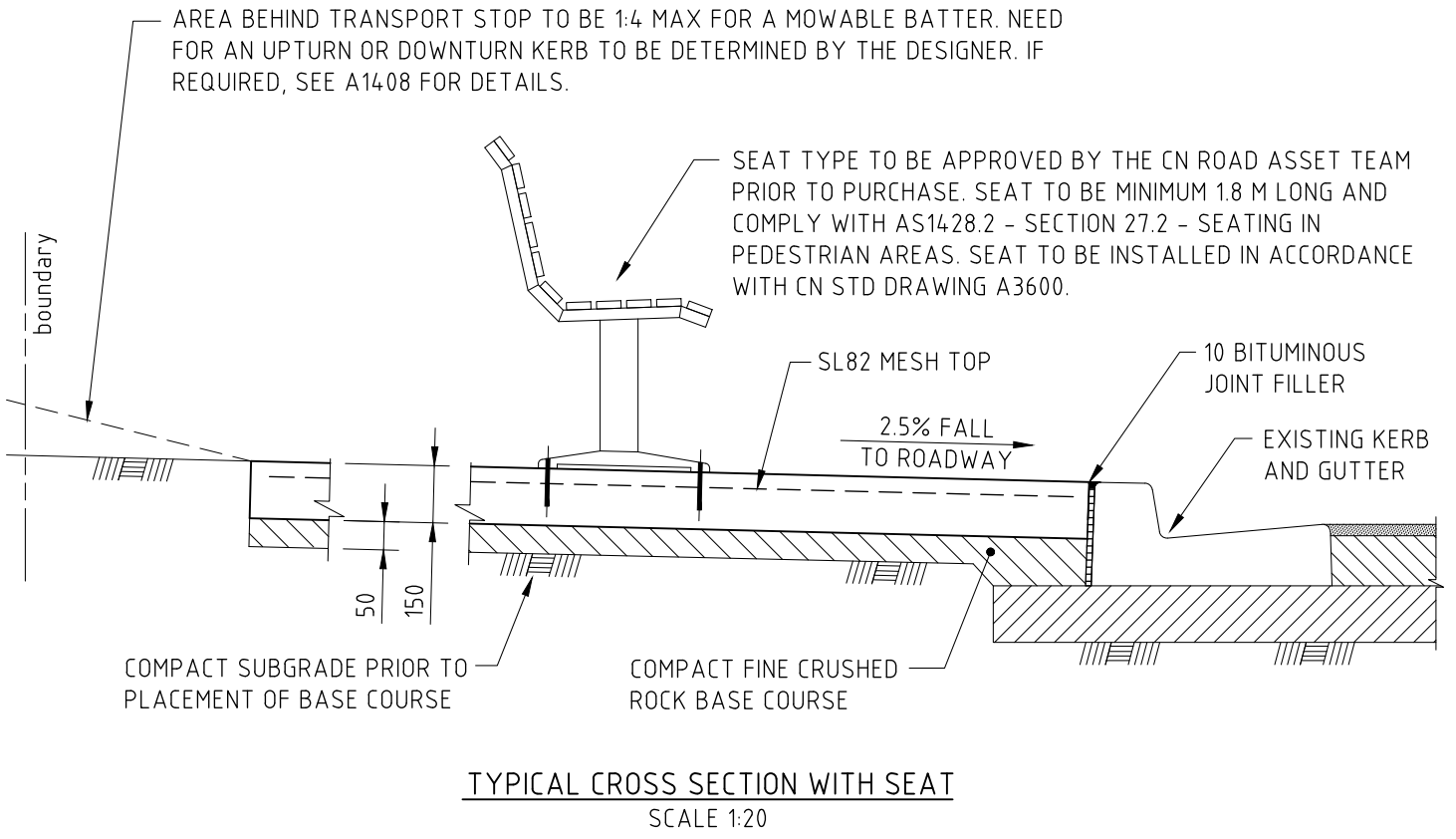
LEGEND

- DIRECTIONAL TACTILE INDICATORS TO COMPLY WITH AS1428.4 2022 AND NEWCASTLE COUNCIL TECHNICAL MANUALS. SEE NOTE 6.
- WARNING TACTILE INDICATORS TO COMPLY WITH AS1428.4 2022 AND NEWCASTLE COUNCIL TECHNICAL MANUALS. SEE NOTE 6.
- DENOTES BOARDING PAD SLAB, REFER TO TYPICAL SECTION FOR DETAILS. THICKNESS AND REINFORCEMENT IN ACCORDANCE WITH TABLE 1. (IF A FUTURE SHELTER IS REQUIRED, REFER TO CN STANDARD DRAWING A1503 FOR CONCRETE THICKNESS)
- INDICATIVE ALLOCATED WHEELCHAIR SPACE, MINIMUM 1300 x 800 mm
- INDICATIVE ALLOCATED SEAT AND FOOT SPACE, MINIMUM 1800 mm LONG, TO BE CONFIRMED BY THE CN ROAD ASSET TEAM PRIOR TO INSTALLATION.
- DENOTES AREA THAT CAN BE REMOVED ONLY WITH THE CN ROAD ASSET TEAMS APPROVAL, IF SITE IS RESTRICTED BY TREES, DRIVEWAYS, UTILITIES ETC.

TABLE 1 - TRANSPORT STOP CONCRETE SPECIFICATIONS

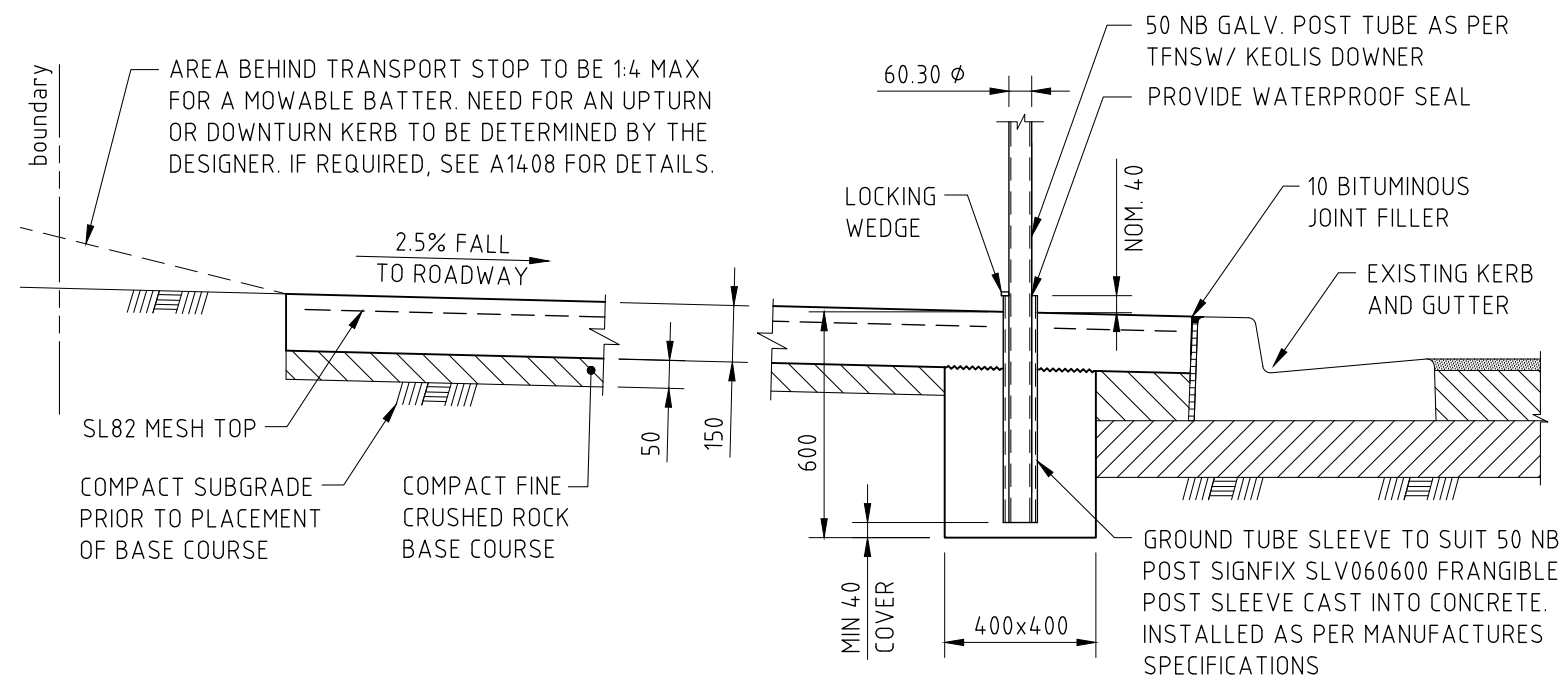
TYPE	EXPOSURE ZONE	F'c (MPa)	T	REINFORCEMENT	COVER (mm)
BOARDING PAD	ALL	32	150	SL82 TOP	45

TRANSPORT STOP DESIGN 2: TYPICAL BOARDING POINT WITH SEAT
SCALE 1:50

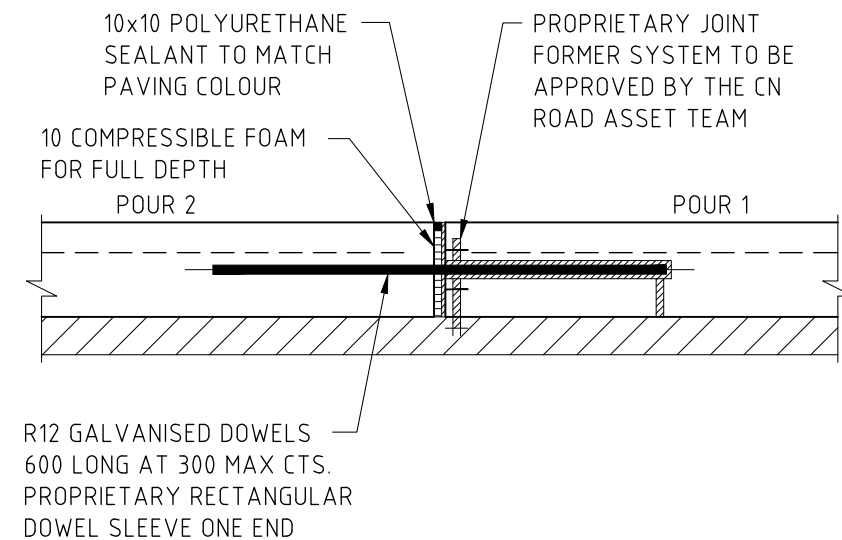


GENERAL NOTES

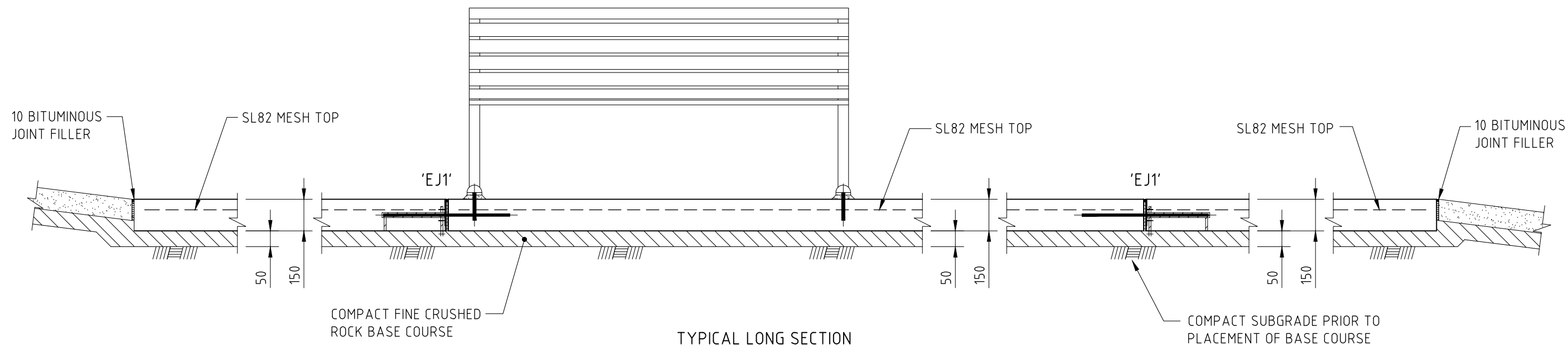
- TRANSPORT STOP DESIGN TYPE 1, 2 OR 3 IS TO BE DETERMINED BY THE CN ROAD ASSET TEAM AND IS BASED ON SPECIFIC CRITERIA INCLUDING USAGE DATA WHICH DICTATES WHETHER SEATING AND OR SHELTER WILL BE PROVIDED. ANY SITE WHERE THESE DRAWINGS CAN'T BE DIRECTLY APPLIED WILL NEED TO BE DESIGNED USING ALL APPROPRIATE STANDARDS INCLUDING THE DISABILITY STANDARDS FOR ACCESSIBLE PUBLIC TRANSPORT. (DSAPT). PROPOSED VARIATIONS TO THIS DRAWING MUST BE APPROVED BY THE CN ROAD ASSET TEAM.
- TRANSPORT STOPS MUST NOT POOL WATER OR DIRECT WATER ONTO PRIVATE PROPERTY AND THE MAXIMUM FOOTWAY CROSS FALL SHALL BE + OR -2.5% (1:40).
- ADJUST EXISTING FOOT PAVING AS REQUIRED TO SUIT NEW TRANSPORT STOP LEVELS. RAMPING TO BE A MAXIMUM OF 1:8.
- IN SITES WITHOUT CONCRETE FOOTWAY PAVING (I.E. "TURF"), FOOTWAY LEVELS TO BE ADJUSTED TO SUIT FINISHED LEVELS OF BOARDING PAD, BATTERING TO BE A MAX GRADE OF 1 IN 4 (25%).
- THE CROSS FALL AT EITHER END OF THE BOARDING PAD MAY BE VARIED (MAXIMUM RANGE BETWEEN -2.5 AND +2.5), WHERE THE LONGITUDINAL GRADE OF KERB EXCEEDS 5.0%, TO REDUCE THE GRADE ALONG THE BACK OF THE BOARDING PAD.
- TACTILE GROUND SURFACE INDICATORS (TGSIS) TO COMPLY WITH AUSTRALIAN STANDARD 1428.4 2022 AND TO BE INSTALLED TO THE MANUFACTURER'S REQUIREMENTS. THE FOLLOWING TGSIS COLOURS ARE RECOMMENDED TO ACHIEVE LUMINANCE CONTRAST. EXAMPLE: CHARCOAL TACTILES ON PLAIN CONCRETE SURFACES AND IVORY TACTILES ON ASPHALTIC CONCRETE OR COLOURED PAVER SURFACES. FOR MORE DETAILS, SEE THE TRANSPORT STOP TECHNICAL MANUAL.
- THE NEED FOR HANDRAILING AT THE TRANSPORT STOP IS TO BE DETERMINED BY THE DESIGNER. IF REQUIRED, THE STEEL HAND RAIL IS TO HAVE AN OUTSIDE DIAMETER WITHIN THE RANGE OF 40MM TO 50MM. HEIGHT ABOVE FINISHED FOOTWAY LEVELS TO BE WITHIN THE RANGE OF 0.9M TO 1.0M. MINIMUM GAUGE OF STEEL HANDRAIL PIPING TO BE 3MM. MAXIMUM SPAN BETWEEN POSTS TO BE 1.5M. HANDRAIL TO COMPLY WITH AUSTRALIAN STANDARD 2312-2002 "GUIDE TO THE PROTECTION OF STRUCTURAL STEEL AGAINST ATMOSPHERIC CORROSION BY THE USE OF PROTECTIVE COATINGS". HANDRAIL TO BE FIXED TO THE CONCRETE USING BASE PLATES AND CHEMICAL ANCHORS.
- SEATS TO COMPLY WITH CN STANDARD DRAWING A3600 - SEATING BENCH SEAT - SURFACE MOUNTED
- IF A STEP IS REQUIRED WITHIN A NON-STANDARD TRANSPORT STOP A NON SLIP LUMINANCE CONTRAST STRIP IS TO BE APPLIED TO TOP OF THE STEP TO THE REQUIREMENTS OF AUSTRALIAN STANDARD 1428.1(2001) PART 9.1(C)
- A SETBACK OF 600MM BETWEEN THE FACE OF KERB AND THE B-POLE IS REQUIRED.
- THE LOCATION OF ANY INFRASTRUCTURE, SUCH AS A SEAT AND/OR SHELTER, SHOULD BE DETERMINED BY THE CN ROAD ASSET TEAM BEFORE INSTALLATION.
- WASTE BINS LOCATED AT TRANSPORT STOPS ARE TO BE ON THEIR OWN SLAB, ON THE DEPARTURE SIDE OF A STOP, MINIMUM OF 1.6M FROM B-POLE, COMPLIANT WITH SIGHT LINE STANDARDS AND INSTALLED IN ACCORDANCE WITH A3660.
- THE FOOTWAY AREA BETWEEN 6M AND 8M ON THE APPROACH TO THE B-POLE MUST BE CLEAR OF OBSTRUCTIONS (PLANTINGS, POLES, FURNITURE) TO ALLOW SUITABLE SPACE FOR REAR DOOR ACCESS.



TYPICAL CROSS SECTION WITH B-POLE
SCALE 1:20



SECTION
EXPANSION JOINT - EJ1
SCALE 1:10



TYPICAL LONG SECTION
SCALE 1:20

		SCALE AS SHOWN			APPROVED:		CITY OF NEWCASTLE STANDARD DRAWING		NCC PLAN No.		SHEET No.	
		DO NOT SCALE DRAWING			SIGNED: EXECUTIVE MANAGER ASSETS AND FACILITIES DATE: 29/09/2024		TRANSPORT STOP DESIGN 2: TYPICAL BOARDING POINT WITH SEAT		A1502		2 OF 2 SHEETS	
0	CONSTRUCTION	24/09/24	N.C.						SHEET A3	ISSUE 0		
ISSUE	AMENDMENT DETAILS	DATE	INITIALS	REVIEWED	J.C.							